

## **VIPERS – TRIBUTO AI QUEEN** **RIDER 2016**

### **GENERAL RULE**

The data sheet contains a list of equipment and minimum conditions necessary for the performance. Failure to comply with the technical requirements can influence the results of the performance, or even cause its cancellation.

Therefore it is imperative that the event organizer returns signed this document at [info@musicinbox.it](mailto:info@musicinbox.it)

### **TECHNICAL REQUIREMENTS**

**STAGE:** it will offer musicians a useful space of at least 8m x 6m, with no holes, depressions, disconnections or any kind of obstacles. It is necessary a raised platform for the drum, provided that the size not less than 3m x 2m and not exceeding 40cm height.

Each metal structure must be regularly connected to a valid grounding.

And 'the organizer has to ensure to set up a gazebo 3x3mt minimum dimensions, covered by walls on all sides and isolated from the ground with clean carpet. Inside it will be prepared a table with 4 chairs, as well as to a light allowing good visibility

**PA SYSTEM** must be of recognized good quality, tri-amplified speaker (with subwoofer 18"), in perfect condition and of adequate power to the size of the local / square, positioned so as to ensure even coverage throughout the listening area (preferably hanging or on the side wings of the stage), installed and operational on arrival of the musicians.

Reference models: d&b C4, Q1, L-Acoustics, Martin W8c

Modelli di riferimento: d&b C4, Q1, L-Acoustics, Martin W8c

**MIXING CONSOLLE** will be positioned along the axis perpendicular to the front of the stage, at a distance of not less than 15m and at a height such as to allow the perfect vision of all musicians.

It must include: 1 digital mixer with at least 24 inputs and 6 aux sends and 4 types of effect.

Reference models: Soundcraft VI1, Midas Pro1, DiGiCo SD9

**MONITOR:** 6 stage-of recognized good quality monitor, wired on three independent lines  
independenti

**LIGHTS** need to be ensured a good front illumination all over the stage, through the use of incandescent lamps (PC or Fresnel), positioned on the front truss or on windup.

They are also required at least 6 motorized Spot and 6 motorized wash, hook up to the rear truss or placed on totem or flight case  
and to 2 Hazer machines, 2 strobe 1500W, controlled by the console.

**STAFF:** they will be present and available to the group for the soundstage check and during the performance: 1 audio engineer to the FOH consolle, with knowledge of the available material, 1 lighting technician / electrician to lighs consolle.

**VIPERS – TRIBUTO AI QUEEN**  
**RIDER 2016**

**LISTA CANALI**

1	kick	Beta 52	Small
2	Snare Up	Sm57	Med
3	Snare down	Sm57	Small
4	HH	Rode NT5 o similar	Standard
5	Tom	Sennheiser e604 or similar	
6	Tom	Sennheiser e604 or similar	
7	Floor Tom	Sennheiser e604 or similar	
8	Floor Tom	Sennheiser e604 or similar	
9	OH	Rode NT5 or similar	Standard
10	OH	Rode NT5 or similar	Standard
11	Bass	XLR	
12	Guitar	Sennheiser MD421	Med
13	Classical Guitar	XLR	
14	Keyboard L	XLR	
15	Keyboard R	XLR	
16	Sequence L	XLR	
17	Sequence R	XLR	
18	Lead Vocal Piano	Beta 58 (own)	
19	Lead Vocal	Beta 58 (own)	
20	B Vocal Guitar	Beta 58	Standard
21	B Vocal Bass	SM58	Standard
22	B Vocal Drum	BEta57	Standard
23	Spare		
24	Drum Plate L		
25	Drum Plate L		
26	Vocal Hall L		
27	Vocal Hall R		
28	Delay L		
29	Delay R		

## **MONITOR**

A1	KEYBOARD	1 MONITOR
A2	LEAD VOX	2 MONITOR
A3	GUITAR	2 MONITOR
A4	DRUM	XLR
A5	LEAD VOX	XLR

## **FORMAZIONE (vd STAGE PLAN)**

Drum / Vocal

Bass / Vocal

Guitar / Vocal

Keyboard / Vocal

## **LUCI**

8 Fari PC 1Kw completi di bandiera, gancio, cordina di sicurezza

4 Blinder completi di gancio e cordina di sicurezza

6 Motorizzati Spot (Clay Paky, Martin, Robe, DTS, SGM, Prolights)

6 Motorizzati Wash (Clay Paky, Martin, Robe, DTS, SGM Prolights)

2 Strobo 1500W completi di gancio e cordina di sicurezza

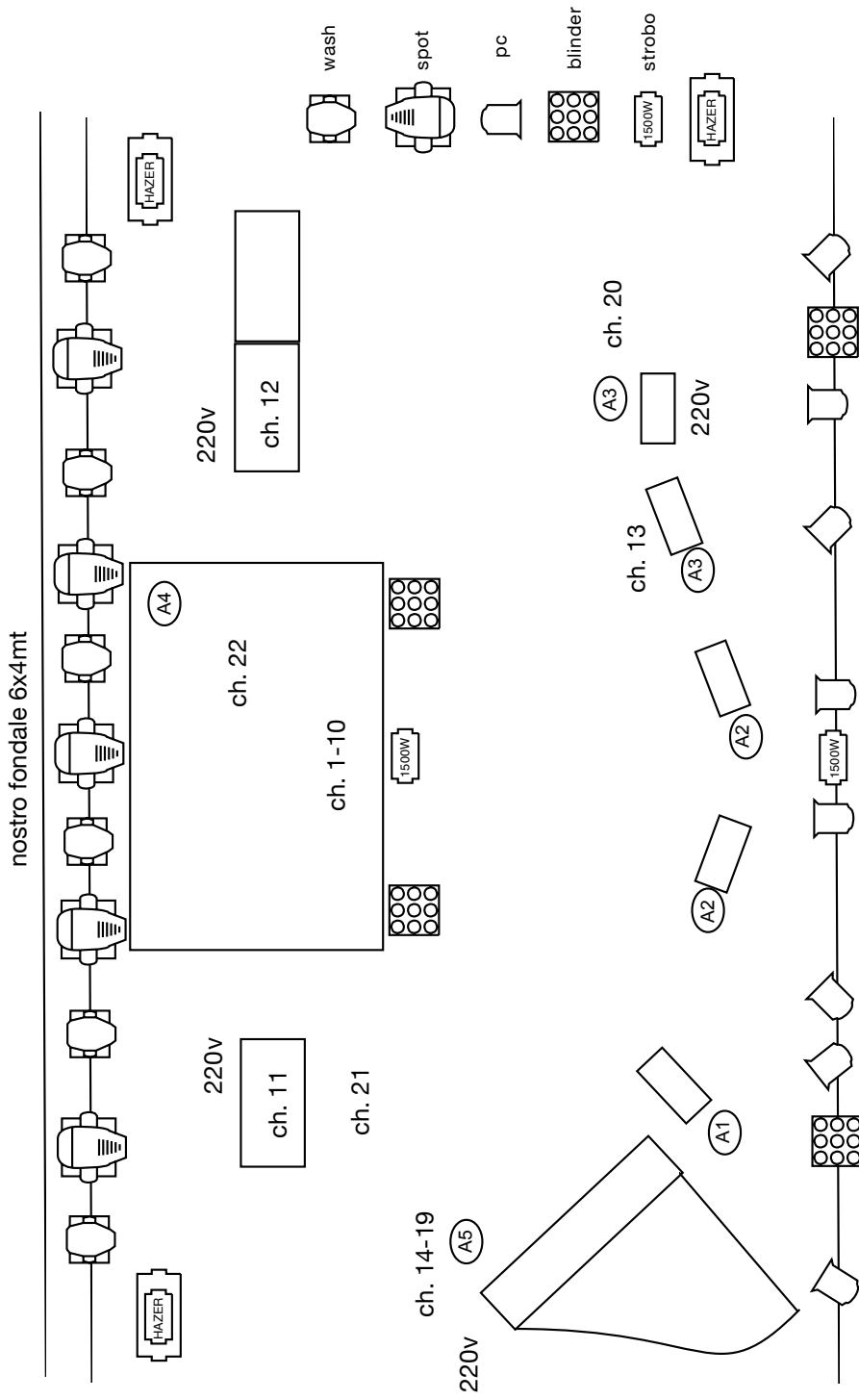
2 Hazer 1500W

Per accettazione e presa visione

L'organizzatore

---

VIPERS TRIBUTO AI QUEEN - STAGE PLAN & LIGHT PLOT 2016



gio bruno  
339 6967488